

# TB 9-6625-2049-24

CHANGE 1

DEPARTMENT OF THE ARMY TECHNICAL BULLETIN

---

## CALIBRATION PROCEDURE FOR SYNTHESIZER/FUNCTION GENERATOR HEWLETT-PACKARD MODELS 3325A( ) AND 3325B( )

---

Headquarters, Department of the Army, Washington, DC  
16 October 2008

---

*Distribution Statement A: Approved for public release; distribution is unlimited.*

---

TB 9-6625-2049-24, 1 July 2008, is changed as follows:

1. Remove old pages and insert new pages as indicated below. New or changed material is indicated by a vertical bar in the margin of the page.

**Remove Pages**

5 and 6

**Insert Pages**

5 and 6

2. File this change sheet in front of the publication for reference purposes.

By Order of the Secretary of the Army:

GEORGE W. CASEY, JR.  
*General, United States Army*  
*Chief of Staff*

Official



JOYCE E. MORROW

*Administrative Assistant to the  
Secretary of the Army*

0823906

Distribution:

To be distributed in accordance with IDN 342200, requirements for calibration procedure  
TB 9-6625-2049-24



# **\*TB 9-6625-2049-24**

DEPARTMENT OF THE ARMY TECHNICAL BULLETIN

## **CALIBRATION PROCEDURE FOR SYNTHESIZER/FUNCTION GENERATOR HEWLETT-PACKARD MODELS 3325A( ) AND 3325B( )**

Headquarters, Department of the Army, Washington, DC

1 July 2008

*Distribution Statement A: Approved for public release; distribution is unlimited*

### **REPORTING OF ERRORS AND RECOMMENDING IMPROVEMENTS**

You can improve this manual. If you find any mistakes or if you know of a way to improve these procedures, please let us know. Mail your letter or DA Form 2028 (Recommended Changes to Publications and Blank Forms) directly to: Commander, U.S. Army Aviation and Missile Command, ATTN: AMSAM-MMC-MA-NP, Redstone Arsenal, AL 35898-5000. A reply will be furnished to you. You may also send in your comments electronically to our E-mail address: [2028@redstone.army.mil](mailto:2028@redstone.army.mil) or by fax 256-842-6546/DSN 788-6546. For the World Wide Web use: <https://amcom2028.redstone.army.mil>. Instructions for sending an electronic 2028 can be found at the back of this manual.

SECTION		Paragraph	Page
I.	IDENTIFICATION AND DESCRIPTION		
	Test instrument identification.....	1	2
	Forms, records, and reports .....	2	2
	Calibration description.....	3	2
II.	EQUIPMENT REQUIREMENTS		
	Equipment required.....	4	4
	Accessories required .....	5	5
III	CALIBRATION PROCESS		
	Preliminary instructions .....	6	6
	Equipment setup.....	7	6
	Harmonic distortion.....	8	7
	Amplitude modulation distortion .....	9	9
	Square wave characteristics .....	10	10
	Ramp retrace .....	11	10
	Frequency accuracy .....	12	11
	Phase increment .....	13	13
	Sine wave amplitude and flatness.....	14	14
	Square wave amplitude and flatness .....	15	16

\*This bulletin supersedes TB 9-6625-2049-35, dated 30 December 2004, including all changes.

	<b>Paragraph</b>	<b>Page</b>
Triangle and ramp amplitude .....	16	17
Dc offset .....	17	18
Dc offset with ac .....	18	19
High voltage output option 002 only.....	19	20
Power supply .....	20	21
Final procedure .....	21	22

## SECTION I IDENTIFICATION AND DESCRIPTION

**1. Test Instrument Identification.** This bulletin provides instructions for the calibration of Synthesizer/Function Generator, Hewlett-Packard, Models 3325A( ) and, 3325B( ). The manufacturers' manuals and TM 11-6625-3065-14 were used as the prime data sources in compiling these instructions. The equipment being calibrated will be referred to as the TI (test instrument) throughout this bulletin.

**a. Model Variations.** Option 001: High Stability Frequency Reference; Option 002: High Voltage Output; Option E04: includes Options 001, 002, and instrument front handles and chassis slides; Option 907: Front Handle Assembly; Option 908: Rack Mount Flange Kit; Option 909: Rack Mount Flange Kit/Front Handle Assembly; Option 910: Additional Operating and Service Manual. Variations among models are described in text, tables, and figures.

**b. Time and Technique.** The time required for this calibration is approximately 4 hours, using the dc and low frequency technique.

### **2. Forms, Records, and Reports**

**a.** Forms, records, and reports required for calibration personnel at all levels are prescribed by TB 750-25.

**b.** Adjustments to be reported are designated (R) at the end of the sentence in which they appear. When adjustments are in tables the (R) follows the designated adjustment. Report only those adjustments made and designated with (R).

**3. Calibration Description.** TI parameters and performance specifications which pertain to this calibration are listed in table 1.

Table 1. Calibration Description

Test instrument parameters	Performance specifications	
Harmonic distortion <sup>1</sup> (relative to fundamental at full output)	Fundamental frequency: 0.1 Hz To 50 kHz Accuracy: No harmonic greater than -65 dB Fundamental frequency: 50 to 200 kHz Accuracy: No harmonic greater than -60 dB Fundamental frequency: 200 kHz to 2 MHz (200 kHz to 1 MHz for option 002) Accuracy: No harmonic greater than -40 dB Fundamental frequency: 2 to 15 MHz Accuracy: No harmonic greater than -30 dB Fundamental frequency: 15 to 20 MHz Accuracy: No harmonic greater than -25 dB	
Amplitude modulation	AM distortion: ≤-30 dB at 80% modulation, 10 kHz, and 0 V dc offset	
Square wave	Rise time and fall time: ≤20 ns, (≤125 ns for option 002) at full output Symmetry: ≤.02% of period +3 ns Overshoot: ≤5% of p-p amplitude at full output (<10% of peak amplitude for option 002)	
Ramp retrace	≤3 μs retrace time, positive or negative ramps	
Frequency	Accuracy: 5 x 10 <sup>-6</sup> of selected value	
Sine wave	Range: 1 μHz to 20 999 999.999 Hz (option 002: .02 Hz to 25.6 kHz)	
Square wave	Range: 1 μHz to 10 999 999.999 Hz (option 002: .02 Hz to 25.6 kHz)	
Triangle	Range: 1 μHz to 10 999 999.999 Hz (option 002: .02 Hz to 10 kHz)	
Positive slope ramp	Range: 1 μHz to 10 999 999.999 Hz (option 002: .02 Hz to 10 kHz)	
Negative slope ramp	Range: 1 μHz to 10 999 999.999 Hz (option 002: .02 Hz to 10 kHz)	
Phase offset	Range: Variable ±719.9° with respect to arbitrary starting phase, or assigned zero phase Accuracy: ±0.2°	
Amplitude		Tolerance relative to programmed amplitude
Amplitude accuracy with no attenuation (attenuator range 1) into 50 Ω load (no dc offset )	Sine wave: .001 Hz to 100 kHz <sup>2</sup>	±0.1 dB
	Square wave: .001 Hz to 100 kHz	±1.0%
	Triangle: .001 Hz to 2 kHz 2 kHz to 10 kHz	±1.5% ±5%
	Ramps: .001 Hz to 500 Hz 500 Hz to 10 kHz	±1.5% ±10%
Flatness with no attenuation (attenuator range 1) into a 50 Ω load		Tolerance relative to programmed amplitude at 1 kHz
	Sine wave: 100 kHz to 20 MHz	±0.3 dB
	Square wave: 100 kHz to 10 MHz	±10%

See footnotes at end of table.

Table 1. Calibration Description - Continued

Test instrument parameters	Performance specifications	
Amplitude accuracy with dc offset and no attenuation (range 1) into 50 Ω load		Tolerance relative to programmed amplitude
	Sine wave: .001 Hz to 100 kHz	±0.3 dB
	Square: .001 Hz to 100 kHz	±3%
	Triangle: .001 Hz to 2 kHz 2 kHz to 10 kHz	±4% ±6%
	Ramps: .001 Hz to 500 Hz 500 Hz to 10 kHz	±4% ±11%
Attenuator accuracy (these errors are additive with the amplitude accuracy errors)	Function and frequency range	Tolerance relative to programmed amplitude
	.001 Hz to 100 kHz Attenuator ranges 2 through 8	±0.1 dB
	100 kHz to 10 MHz Attenuator ranges 2 through 8	±0.2 dB
Amplitude output Amplitude (option 002) (high voltage output)	Range: 1.000 mV to 10.00 V p-p Range: 4 mV to 40 V p-p (≥500 Ω) Accuracy: ±2% of full output for each range at 2 kHz Flatness: ±10% of programmed amplitude	
Dc offset	Range: ±5 V dc Accuracy: ±0.4% of full peak output for each attenuator range <sup>2</sup>	
Dc offset (option 002)	Range: ±20 V dc Accuracy: ± (1% +25 mV) of full output for each attenuator range	
Dc plus ac	Range: <1 MHz Accuracy: ±1.2% Ramps: ±2.4% Range: >1 MHz Accuracy: +3%	

<sup>1</sup>Not verified below 50 Hz.

<sup>2</sup>Except lowest attenuator range where accuracy is ±20 μV.

## SECTION II EQUIPMENT REQUIREMENTS

**4. Equipment Required.** Table 2 identifies the specific equipment to be used in this calibration procedure. This equipment is issued with Secondary Transfer Calibration Standards Set AN/GSM-287 and AN/GSM-705. Alternate items may be used by the calibrating activity. The items selected must be verified to perform satisfactorily prior to use and must bear evidence of current calibration. The equipment must meet or exceed the minimum use specifications listed in table 2. The accuracies listed in table 2 provide a four-to-one ratio between the standard and TI. Where the four-to-one ratio cannot be met, the actual accuracy of the equipment selected is shown in parenthesis.

**5. Accessories Required.** The accessories required for this calibration are common usage accessories, issued as indicated in paragraph 4 above, and are not listed in the calibration procedure. The following peculiar accessory is also required for this calibration: 50  $\Omega$  feedthrough termination, Hewlett-Packard, Model 11048C.

Table 2. Minimum Specifications of Equipment Required

Common name	Minimum use specifications	Manufacturer and model (part number)
AUDIO ANALYZER	Output: 4.5 V, 10 kHz	Boonton, Model 1121 (1121)
FREQUENCY COUNTER	Range: 99,9950 $\mu$ s to 60,000,300 Hz Accuracy: $1.25 \times 10^{-8}$ Capability: Time interval A to B	Fluke, Model PM6681/656 (PM6681/656)
MEASURING RECEIVER	Frequency: 100 kHz to 10 MHz Volts: .683 to .732 V rms Accuracy: $\pm 0.85\%$ AM: 0 to 80% AM distortion: $\leq -30$ dB at 10 kHz Distortion: $\leq -60$ dB at 50 Hz	Measuring Receiver system N5530S consisting of: Spectrum Analyzer Agilent, Model E4440A (E4440A), Power Meter Agilent, Model E4419B (E4419B), and Sensor Module Agilent, Model N5532A opt 504 (504)
MULTIMETER	Range: -20.225 to +20.225 V dc Accuracy: $\pm 0.05\%$ Range: 0.3416 to 20.4 V ac 100 Hz to 100 kHz Accuracy: $\pm 0.3\%$	Hewlett-Packard, Model 3458A (3458A)
OSCILLOSCOPE	Frequency: 1 kHz to 10 MHz Amplitude: 1.8 to 2.2 V p-p Accuracy: $\pm 2.5\%$ Capabilities Duty cycle: 49.7 to 50.3% Overshoot: 5% Rise time and fall time: $< 20$ ns	Agilent, OS-303/G (OS-303/G)
RESISTANCE STANDARD	Range: 470 $\Omega$	Biddle Gray, Model 71-631 (7910328)
SPECTRUM ANALYZER	Frequency: 50 kHz to 20 MHz Input: -20 dBm and 40 V Display capability: $< -65$ dBc	(AN/USM-677)
SYNTHESIZER/LEVEL GENERATOR	Frequency: 0.1 MHz Amplitude: 13 dBm	Hewlett-Packard, Model 3335AOPT 001-K06 (MIS-35938)
TIME/FREQUENCY WORKSTATION	Reference output frequency: 10 MHz Accuracy: $\pm 5 \times 10^{-8}$	Datum, Model ET6000-75 (13589305)

### SECTION III CALIBRATION PROCESS

#### 6. Preliminary Instructions

a. The instructions outlined in paragraphs 6 and 7 are preparatory to the calibration process. Personnel should become familiar with the entire bulletin before beginning the calibration.

b. Items of equipment used in this procedure are referenced within the text by common name as listed in table 2.

c. Unless otherwise specified, verify the result of each test and, whenever the test requirement is not met, take corrective action before continuing with the calibration. Adjustments required to calibrate the TI are included in this procedure. Additional maintenance information is contained in TM 11-6625-3065-14 and the manufacturer's manual for this TI.

d. When indications specified in paragraphs 8 through 19 are not within tolerance, perform the power supply check prior to making adjustments. After adjustments are made, repeat paragraphs 8 through 19. Do not perform power supply check if all other parameters are within tolerance.

e. Unless otherwise specified, all controls and control settings refer to the TI.

#### 7. Equipment Setup

##### WARNING

HIGH VOLTAGE is used or exposed during the performance of this calibration. DEATH ON CONTACT may result if personnel fail to observe safety precautions. REDUCE OUTPUT(S) to minimum after each step within the performance check where applicable.

##### CAUTION

Before connecting TI to power source, make sure TI is set to the power source line voltage shown on rear of TI.

a. Connect TI to a 115 V ac source. Press **POWER** pushbutton to **ON** and allow at least 20 minutes for warm-up.

b. Before continuing, review (1) through (4) below:

(1) The **SWEEP LINEAR/LOG, ENTRY, FUNCTION, SIGNAL**, and blue keys each have an indicator denoting that it is activated.

(2) When power is applied to the TI, some keys will be lit.

(3) Pressing any **FUNCTION** key that is active will delete that function and no ac signal will be present at the output.

(4) Some instructions will be repeated during programming. This is done to ensure correct output is available.



**NOTE**

Ensure proper calibration factors are used for measuring receiver sensor module selected.

**8. Harmonic Distortion****a. Performance Check**

- (1) Connect TI **EXT REF IN 1, 10 MHz** to spectrum analyzer **10 MHz REF OUT**.
- (2) Connect TI **SIGNAL** to spectrum analyzer **INPUT 50 Ω**.
- (3) Press keys and enter values using **DATA** keys as listed in (a) through (h) below:
  - (a) **SIGNAL** off (option 002 not lit).
  - (b) **FUNCTION** sine wave.
  - (c) **ENTRY AMPTD**.
  - (d) **-20 dBm**.
  - (e) **ENTRY DC OFFSET**.
  - (f) **0 VOLT**.
  - (g) **ENTRY FREQ**.
  - (h) **20 MHz**.
- (4) Adjust spectrum analyzer controls to display 20 MHz fundamental and at least four harmonics. All harmonics will be at least 25 dB below fundamental.
- (5) Enter **14 MHz** using TI **DATA** keys. Adjust spectrum analyzer controls to display 14 MHz fundamental and at least four harmonics. All harmonics will be at least 30 dB below fundamental.
- (6) Enter **1.9 MHz** using TI **DATA** keys. Adjust spectrum analyzer controls to display 1.9 MHz fundamental and at least four harmonics. All harmonics will be at least 40 dB below fundamental.
- (7) Enter **190 kHz** using TI **DATA** keys. Adjust spectrum analyzer controls to display 190 kHz fundamental and at least four harmonics. All harmonics will be at least 60 dB below fundamental.
- (8) Enter **100 kHz** using TI **DATA** keys. Adjust spectrum analyzer controls to display 100 kHz fundamental and at least four harmonics. All harmonics will be at least 60 dB below fundamental.
- (9) Enter **40 kHz** using TI **DATA** keys. Adjust spectrum analyzer controls to display 40 kHz fundamental and at least four harmonics. All harmonics will be at least 65 dB below fundamental.
- (10) Disconnect TI from spectrum analyzer.
- (11) Connect TI **SIGNAL** to audio analyzer **INPUT HIGH** using 50 Ω feedthrough termination.
- (12) Press keys and enter values using **DATA** keys as listed in (a) through (c) below:

- (a) **50 Hz.**
- (b) **ENTRY AMPTD.**
- (c) **10 VOLT.**

(13) Set audio analyzer to measure distortion in dB. Audio analyzer indication will be  $\leq -65$  dB.

(14) Perform (15) through (19) below for option 002 only.

(15) Connect equipment as shown in figure 1 and set resistance standard to 470  $\Omega$ .

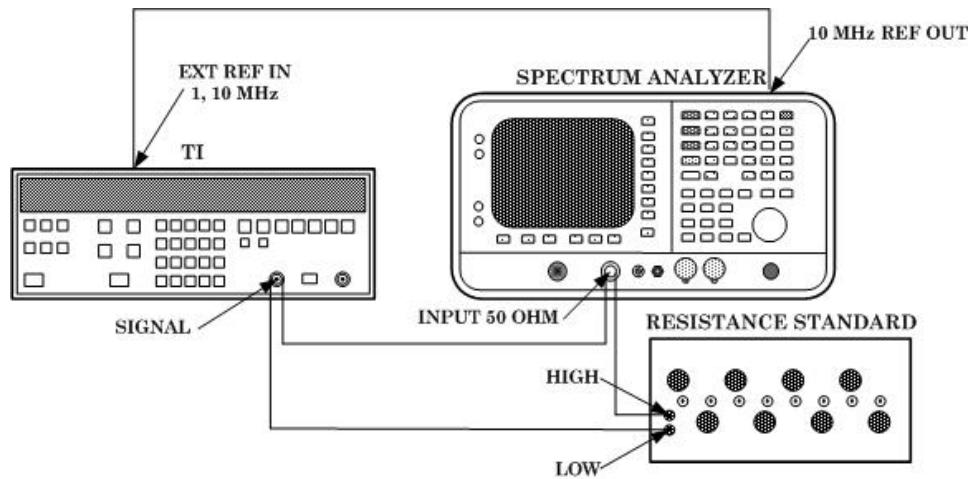


Figure 1. Harmonic distortion - equipment setup.

(16) Press keys and enter values using **DATA** keys as listed in (a) through (e) below:

- (a) **SIGNAL** on.
- (b) **ENTRY FREQ.**
- (c) **25 kHz.**
- (d) **ENTRY AMPTD.**
- (e) **40 VOLT.**

(17) Adjust spectrum analyzer controls to display 25 kHz fundamental and at least four harmonics. All harmonics will be at least 65 dB below fundamental.

(18) Press **ENTRY FREQ** key and enter **190 kHz** using **DATA** keys. Adjust spectrum analyzer controls to display 190 kHz fundamental and at least four harmonics. All harmonics will be at least 60 dB below fundamental.

(19) Enter **1 MHz** using **DATA** keys. Adjust spectrum analyzer controls to display 1 MHz fundamental and at least four harmonics. All harmonics will be at least 40 dB below fundamental.

**b. Adjustment.** No adjustments can be made.

## 9. Amplitude Modulation Distortion

### a. Performance Check

- (1) Press keys and enter values using **DATA** keys as listed in (a) through (i) below:
  - (a) **SIGNAL** off (option 002 not lit).
  - (b) **FUNCTION** sine wave.
  - (c) **ENTRY FREQ.**
  - (d) **1 MHz.**
  - (e) **ENTRY AMPTD.**
  - (f) **3 VOLT.**
  - (g) **ENTRY DC OFFSET.**
  - (h) **0 VOLT.**
  - (i) Blue then **AM ON.**
- (2) Connect equipment as shown in figure 2.

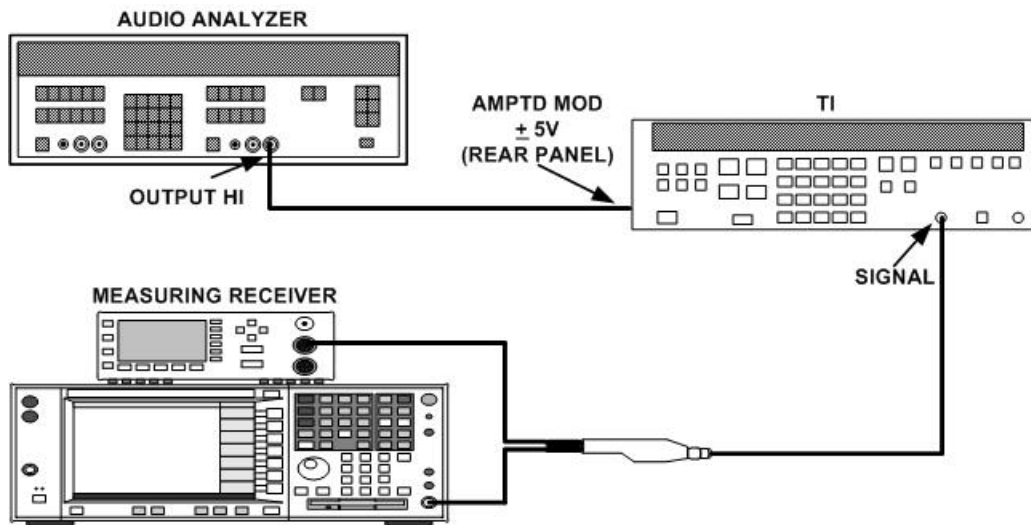


Figure 2. AM distortion - equipment setup.

- (3) Set audio analyzer for a 50  $\Omega$  (SPCL 75), 10 kHz, 2.5 V output.
- (4) Set measuring receiver to measure AM.
- (5) Adjust audio analyzer level until measuring receiver indicates 80%.
- (6) Set measuring receiver to measure distortion in dB. Measuring receiver indication will be  $\leq -30$  dB.
- (7) Press TI blue key then **DATA AM OFF** key.

### b. Adjustments. No adjustments can be made.

## 10. Square Wave Characteristics

### a. Performance Check

- (1) Press keys and enter values using **DATA** keys as listed in (a) through (f) below:
  - (a) **SIGNAL** off (option 002 not lit).
  - (b) **FUNCTION** square wave.
  - (c) **ENTRY FREQ.**
  - (d) **1 MHz.**
  - (e) **ENTRY AMPTD.**
  - (f) **1 V RMS.**
- (2) Connect TI **SIGNAL** to oscilloscope **Vertical 1** input using 50  $\Omega$  feedthrough.
- (3) Set oscilloscope **Vertical 1 Input 1M  $\Omega$**  to on (lit).
- (4) Set oscilloscope controls for duty cycle measurement. Duty cycle will be between 49.7 and 50.3 percent.
- (5) Enter **10 VOLT** using **DATA** keys.
- (6) Set oscilloscope controls for rise time measurement. Rise time will be  $\leq 20$  ns.
- (7) Repeat (6) above for fall time.
- (8) Set oscilloscope controls for overshoot measurement. Overshoot will be  $\leq 5$  percent of peak to peak amplitude ( $\leq 500$  mV at positive and negative peaks).
- (9) Perform (10) through (12) below for option 002 only.
- (10) Remove 50  $\Omega$  feedthrough from connection.
- (11) Press TI **SIGNAL** key on (lit).
- (12) Press TI **AMPTD, 3, 5, VOLT** keys.
- (13) Repeat technique in (6) through (8) above. Rise time and fall time will be  $\leq 125$  ns with an overshoot  $< 10$  percent of peak amplitude ( $< 500$  mV at positive and negative peaks).

**b. Adjustments.** No adjustments can be made.

## 11. Ramp Retrace

### a. Performance Check

- (1) Connect TI **SIGNAL** to oscilloscope **Vertical 1** input using 50  $\Omega$  feedthrough.
- (2) Set oscilloscope **Vertical 1 Input 1M  $\Omega$**  to on (lit).
- (3) Press keys and enter values using **DATA** keys as listed in (a) through (f) below:
  - (a) **SIGNAL** off (option 002 not lit).
  - (b) **FUNCTION** positive ramp.
  - (c) **ENTRY FREQ.**
  - (d) **10 kHz.**
  - (e) **ENTRY AMPTD.**
  - (f) **10 VOLT.**

(4) Set oscilloscope controls to measure ramp retrace time from the 90 to 10 percent points. Ramp retrace time will be  $\leq 3 \mu\text{s}$ .

(5) Press **FUNCTION** negative ramp key and repeat (4) above.

**b. Adjustments.** No adjustments can be made.

## 12. Frequency Accuracy

### a. Performance Check

(1) Connect TI **SIGNAL** to frequency counter **CHANNEL A**.

(2) Press keys and enter values using **DATA** keys as listed in (a) through (f) below:

(a) **SIGNAL** off (option 002 not lit).

(b) **FUNCTION** sine wave.

(c) **ENTRY FREQ.**

(d) **20 MHz.**

(e) **ENTRY AMPTD.**

(f) **.99 VOLT.**

(3) Set frequency counter for **50  $\Omega$**  input.

(4) Set frequency counter controls to measure frequency. If frequency counter does not indicate between 19.99990 and 20.00010 MHz, perform **b** below.

(5) Press **FUNCTION** square wave key. Frequency counter will indicate between 9.999950 and 10.000050 MHz.

(6) Disconnect frequency counter from TI **SIGNAL**.

(7) Connect frequency counter **CHANNEL A** to TI **SYNC OUT**.

(8) Press TI **FUNCTION** triangle key.

(9) Set frequency counter controls to measure period. Frequency counter will indicate between 99.99950 and 100.00050  $\mu\text{s}$ .

(10) Press **FUNCTION** positive ramp key. Frequency counter will indicate between 99.99950 and 100.00050  $\mu\text{s}$ .

(11) Press **FUNCTION** negative ramp key. Frequency counter will indicate between 99.99950 and 100.00050  $\mu\text{s}$ .

(12) Disconnect frequency counter from TI **SYNC OUT**.

(13) Connect frequency counter to TI **AUX 21-60 MHz** (rear panel).

(14) Press keys and enter values using **DATA** keys as listed in (a) through (c) below:

(a) **FUNCTION** sine wave.

(b) **ENTRY FREQ.**

(c) **60 MHz.**

(15) Set frequency counter controls to measure frequency. If frequency counter does not indicate between 59.99970 and 60.00030 MHz, perform **b** below.

**b. Adjustments**

- (1) Disconnect TI rear panel **10 MHz OVEN OUTPUT** from **EXT REF IN** option 001 only.
- (2) Connect frequency counter **CHANNEL A** to TI rear panel **AUX 21-60 MHz**.
- (3) Press keys and enter values using **DATA** keys as listed in (a) through (c) below:
  - (a) **FUNCTION** sine wave.
  - (b) **ENTRY FREQ.**
  - (c) **60 MHz.**
- (4) Adjust REF R30 (fig. 3) until frequency counter indicates 60.000000 MHz (R).

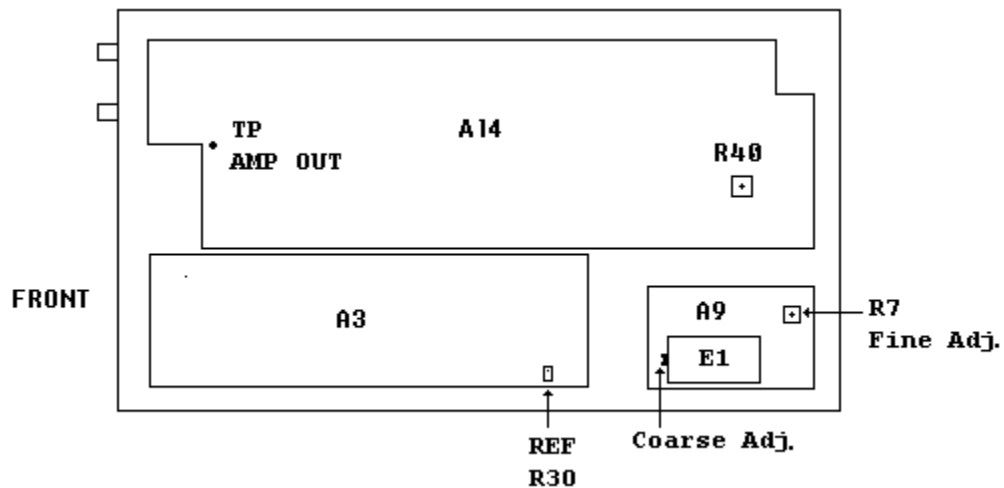


Figure 3. Test instrument - bottom view.

- (5) Disconnect frequency counter from TI rear panel **AUX 21-60 MHz**.
- (6) Connect frequency counter **CHANNEL A** to TI **SIGNAL**.
- (7) Enter **20 MHz** using **DATA** keys. Frequency counter will indicate between 19.99990 and 20.00010 MHz.
- (8) Disconnect frequency counter from TI.
- (9) Perform (10) through (14) below for option 001 only.
- (10) Program time/frequency workstation for a 1 MHz output and connect to frequency difference meter **REF INPUT**.
- (11) Connect TI rear panel **10 MHz OVEN OUTPUT** to frequency difference meter **SIG INPUT**.
- (12) Adjust A9R7 Fine Adj. (fig. 3) and A9 Coarse Adj. (fig. 3) for a minimum indication on frequency difference meter.

- (13) Disconnect TI from frequency difference meter.
- (14) Reconnect TI rear panel **10 MHz OVEN OUTPUT** to **EXT REF IN**.

### 13. Phase Increment

#### a. Performance Check

- (1) Press keys and enter values using **DATA** keys as listed in (a) through (f) below:
  - (a) **SIGNAL** off (option 002 not lit).
  - (b) **FUNCTION** sine wave.
  - (c) **ENTRY FREQ.**
  - (d) **100 kHz.**
  - (e) **ENTRY AMPTD.**
  - (f) **13 dBm.**
- (2) Connect equipment as shown in figure 4.

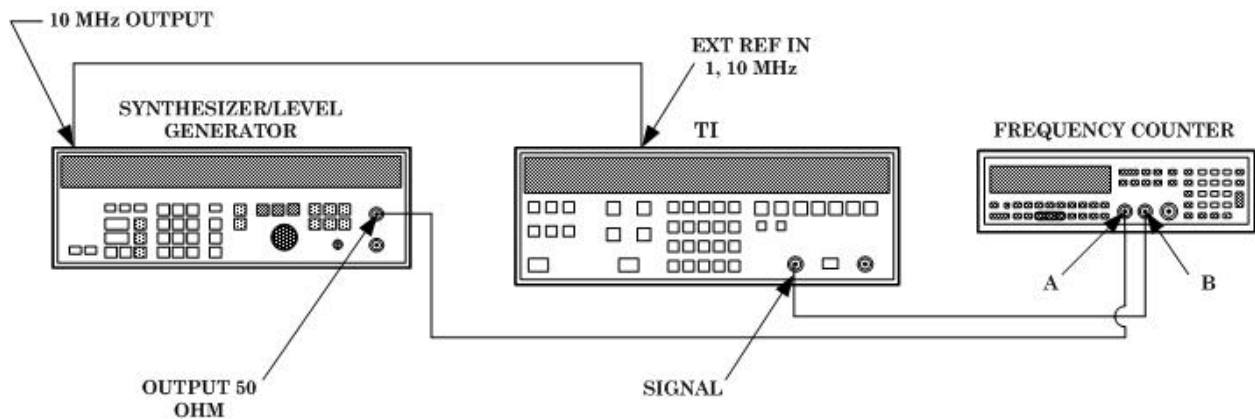


Figure 4. Phase increment - equipment setup.

#### NOTE

If TI has option 001, remove the connection from **10 MHz OUTPUT** to **EXT REF IN** (rear panel) (fig. 4).

- (3) Set synthesizer/level generator frequency to .1 MHz and amplitude to 13 dBm.
- (4) Set frequency counter controls for time A to B measurement.
- (5) Press keys as listed in (a) through (c) below:
  - (a) **ENTRY PHASE.**
  - (b) **MODIFY** until frequency counter indicates between 199 and 201 ns.
  - (c) Blue then **ASGN ZERO PHASE.**
- (6) Press frequency counter **MEASUREMENT HOLD**, and then press **RESTART** pushbutton. Record frequency counter indication.

- (7) Press **ENTRY PHASE** key and enter **-1 deg** using **DATA** keys.
  - (8) Press frequency counter **RESTART** pushbutton and record frequency counter indication.
  - (9) Determine the difference between indication recorded in (6) above and indication recorded in (8) above. The difference will be between 22.22 and 33.34 ns.
  - (10) Enter **-10 deg** using **DATA** keys.
  - (11) Press frequency counter **RESTART** pushbutton and record frequency counter indication.
  - (12) Determine the difference between indication recorded in (6) above and indication recorded in (11) above. The difference will be between 272.22 and 283.34 ns.
  - (13) Enter **-100 deg** using **DATA** keys.
  - (14) Press frequency counter **RESTART** pushbutton and record frequency counter indication.
  - (15) Determine the difference between indication recorded in (6) above and indication recorded in (14) above. The difference will be between 2722.22 and 2783.34 ns.
- b. Adjustments.** No adjustments can be made.

#### **14. Sine wave Amplitude and Flatness**

##### **a. Performance Check**

- (1) Connect TI **SIGNAL** to multimeter **INPUT HI** and **LO** using 50  $\Omega$  feedthrough termination.
- (2) Press keys and enter values using **DATA** keys as listed in (a) through (i) below:
  - (a) **SIGNAL** off (option 002 not lit).
  - (b) **ENTRY DC OFFSET**.
  - (c) **0 VOLT**.
  - (d) **FUNCTION** sine wave.
  - (e) **ENTRY AMPTD**.
  - (f) **3.536 V RMS**.
  - (g) **ENTRY FREQ**.
  - (h) **100 Hz**.
  - (i) **AMPTD CAL**.
- (3) Multimeter will indicate between 3.495 and 3.577 V ac.
- (4) Repeat technique of (2) (e) through (i) and (3) above using TI settings and multimeter indications listed in table 3.



Table 3. Amplitude

Test instrument settings			Multimeter indications	
ENTRY AMPTD	ENTRY FREQ		(V ac)	
3.536 V RMS	1	kHz	3.495	3.577
3.536 V RMS	100	kHz	3.495	3.577
1.061 V RMS	100	kHz	1.048	1.073
1.061 V RMS	1	kHz	1.048	1.073
1.061 V RMS	100	Hz	1.048	1.073
.3536 V RMS <sup>1</sup>	100	Hz	0.3416	0.3660
.3536 V RMS	1	kHz	0.3416	0.3660
.3536 V RMS	100	kHz	0.3416	0.3660

<sup>1</sup>Press **ENTRY DC OFFSET** key and enter **1 mV** using **DATA** keys.

- (5) Press keys and enter values using **DATA** keys as listed in (a) through (g) below:
- ENTRY DC OFFSET.**
  - 0 mV.**
  - ENTRY FREQ.**
  - 1 kHz.**
  - ENTRY AMPTD.**
  - .707 V RMS.**
  - AMPTD CAL.**
- (6) Press **MODIFY** keys for a multimeter indication as close as possible to 0.707 V ac.
- (7) Enter **100 kHz** using **DATA** keys. Multimeter will indicate between 0.683 and 0.732 V ac. Record multimeter indication.
- (8) Disconnect multimeter and 50  $\Omega$  feedthrough termination from TI.

#### NOTE

Zero and calibrate measuring receiver sensor module.

- Connect measuring receiver sensor module to TI **SIGNAL**.
- Set measuring receiver to measure power in volts at .1 MHz.
- Press **ENTRY AMPTD** key.
- Press **MODIFY** keys for a measuring receiver indication as close as possible to indication recorded in (7) above.
- Press **ENTRY FREQ** key and enter **500 kHz** using **DATA** keys.
- Set measuring receiver to measure power in volts at .5 MHz. Measuring receiver will indicate between 0.683 and 0.732 V.
- Repeat technique of (13) and (14) above using TI and measuring receiver settings listed in table 4. Measuring receiver will indicate between 0.683 and 0.732 V.

Table 4. Flatness

Test instrument and measuring receiver settings (MHz)
1
2
4
6
8
10
12
14
16
18
20

**b. Adjustments.** No adjustments can be made.

### 15. Square Wave Amplitude and Flatness

#### a. Performance Check

(1) Connect TI **SIGNAL** to multimeter **INPUT HI** and **LO** using 50  $\Omega$  feedthrough termination.

(2) Press keys and enter values using **DATA** keys as listed in (a) through (i) below:

- (a) **SIGNAL** off (option 002 not lit).
- (b) **ENTRY DC OFFSET**.
- (c) **0 VOLT**.
- (d) **FUNCTION** square wave.
- (e) **ENTRY AMPTD**.
- (f) **5 V RMS**.
- (g) **ENTRY FREQ**.
- (h) **100 Hz**.
- (i) **AMPTD CAL**.

(3) Multimeter will indicate between 4.95 and 5.05 V ac.

(4) Enter **1 kHz** using **DATA** keys. Multimeter will indicate between 4.95 and 5.05 V ac.

(5) Enter **100 kHz** using **DATA** keys. Multimeter will indicate between 4.95 and 5.05 V ac.

(6) Press keys and enter values using **DATA** keys as listed in (a) through (d) below:

- (a) **1 kHz**.
- (b) **ENTRY AMPTD**.
- (c) **1 V RMS**.
- (d) **AMPTD CAL**.

(7) Multimeter will indicate between 0.99 and 1.01 V ac.

(8) Disconnect TI from multimeter.

(9) Connect TI **SIGNAL** to oscilloscope **Vertical 1** input using 50  $\Omega$  feedthrough termination.

(10) Set oscilloscope controls to measure square wave amplitude. Record oscilloscope indication.

(11) Press **ENTRY FREQ** key and enter **1 MHz** using **DATA** keys.

(12) Set oscilloscope controls to measure square wave amplitude. Oscilloscope indication will be within  $\pm 10$  percent of indication recorded in (10) above.

(13) Enter **3 MHz** using **DATA** keys and repeat (12) above.

(14) Enter **5 MHz** using **DATA** keys and repeat (12) above.

(15) Enter **10 MHz** using **DATA** keys and repeat (12) above.

**b. Adjustments.** No adjustments can be made.

## 16. Triangle and Ramp Amplitude

### a. Performance Check

(1) Connect TI **SIGNAL** to multimeter **INPUT HI** and **LO** using 50  $\Omega$  feedthrough termination.

(2) Press keys and enter values using **DATA** keys as listed in (a) through (i) below:

(a) **SIGNAL** off (option 002 not lit).

(b) **ENTRY DC OFFSET.**

(c) **0 VOLT.**

(d) **FUNCTION** triangle.

(e) **ENTRY AMPTD.**

(f) **2.887 V RMS.**

(g) **ENTRY FREQ.**

(h) **100 Hz.**

(i) **AMPTD CAL.**

(3) Multimeter will indicate between 2.843 and 2.931 V ac.

(4) Enter **1.9 kHz** using **DATA** keys. Multimeter will indicate between 2.843 and 2.931 V ac.

(5) Enter **2.1 kHz** using **DATA** keys. Multimeter will indicate between 2.742 and 3.032 V ac.

(6) Enter **10 kHz** using **DATA** keys. Multimeter will indicate between 2.742 and 3.032 V ac.

(7) Press keys and enter values using **DATA** keys as listed in (a) through (c) below:

(a) **FUNCTION** positive ramp.

(b) **100 Hz.**

(c) **AMPTD CAL.**

(8) Multimeter will indicate between 2.843 and 2.931 V ac.

(9) Enter **499 Hz** using **DATA** keys. Multimeter will indicate between 2.843 and 2.931 V ac.

(10) Enter **501 Hz** using **DATA** keys. Multimeter will indicate between 2.598 and 3.176 V ac.

(11) Enter **10 kHz** using **DATA** keys. Multimeter will indicate between 2.598 and 3.176V ac.

**b. Adjustments.** No adjustments can be made.

**17. Dc Offset**

**a. Performance Check**

(1) Connect TI **SIGNAL** to multimeter **INPUT HI** and **LO** using 50 Ω feedthrough termination.

(2) Press **SIGNAL** key off (option 002 not lit).

(3) Press presently active **FUNCTION** key to remove ac output and activate **ENTRY DC OFFSET** key (lit).

(4) Enter **5 VOLT** using **DATA** keys and press **AMPTD CAL** key.

(5) Multimeter will indicate between 4.98 and 5.02 V dc.

(6) Enter **-5 VOLT** using **DATA** keys. Multimeter will indicate between -4.98 and -5.02 V dc.

(7) Repeat technique of (6) above using TI settings and multimeter indications listed in table 5.

Table 5. Dc Offset

Test instrument <b>DC OFFSET</b> settings	Multimeter indications (V dc)	
	Min	Max
1.499 VOLT	1.493	1.505
-1.499 VOLT	-1.505	-1.493
499.9 mV	0.4979	0.5019
-499.9 mV	-0.5019	-0.4979
149.9 mV	0.1493	0.1505
-149.9 mV	-0.1505	-0.1493
49.99 mV	0.04979	0.05019
-49.99 mV	-0.05019	-0.04979
14.99 mV	0.01493	0.01505
-14.99 mV	-0.01505	-0.01493
4.999 mV	0.004979	0.005019
-4.999 mV	-0.005019	-0.004979
1.499 mV	0.001479	0.001519
-1.499 mV	-0.001519	-0.001479

**NOTE**

Perform (8) through (11) below for option 002 only.

(8) Remove 50 Ω feedthrough termination from equipment setup.

(9) Press **SIGNAL** key on.

(10) Enter **20 VOLT** using **DATA** keys. Multimeter will indicate between 19.775 and 20.225 V dc.

(11) Enter **-20 VOLT** using **DATA** keys. Multimeter will indicate between -19.775 and -20.225 V dc.

**b. Adjustments.** No adjustments can be made.

## 18. Dc Offset with Ac

### a. Performance Check

(1) Connect **SIGNAL** to multimeter **INPUT HI** and **LO** using 50  $\Omega$  feedthrough termination.

(2) Press keys and enter values using **DATA** keys as listed in (a) through (i) below:

- (a) **SIGNAL** off (option 002 not lit).
- (b) **FUNCTION** sine wave.
- (c) **ENTRY FREQ.**
- (d) **20.999 999 999 MHz.**
- (e) **ENTRY AMPTD.**
- (f) **1 VOLT.**
- (g) **ENTRY DC OFFSET.**
- (h) **4.5 VOLT.**
- (i) **AMPTD CAL.**

(3) Multimeter will indicate between 4.35 and 4.65 V dc.

(4) Enter **-4.5 VOLT** using **DATA** keys. Multimeter will indicate between -4.35 and -4.65 V dc.

(5) Press **ENTRY FREQ** key and enter **999.9 kHz** using **DATA** keys. Multimeter will indicate between -4.44 and -4.56 V dc.

(6) Press **ENTRY DC OFFSET** key and enter **4.5 VOLT** using **DATA** keys. Multimeter will indicate between 4.44 and 4.56 V dc.

(7) Press **FUNCTION** square wave key. Multimeter will indicate between 4.44 and 4.56 V dc.

(8) Enter **-4.5 VOLT** using **DATA** keys. Multimeter will indicate between -4.44 and -4.56 V dc.

(9) Press **ENTRY FREQ** key and enter **9.9999 MHz** using **DATA** keys. Multimeter will indicate between -4.35 and -4.65 V dc.

- (10) Press **FUNCTION** triangle key and enter **9.9 kHz** using **DATA** keys.
- (11) Multimeter will indicate between -4.44 and -4.56 V dc.
- (12) Press **FUNCTION** positive ramp key. Multimeter will indicate between -4.38 and -4.62 V dc.

**b. Adjustments.** No adjustments can be made.

## 19. High Voltage Output Option 002 only

### a. Performance Check

- (1) Connect **SIGNAL** to multimeter **INPUT HI** and **LO**.
- (2) Press keys and enter values using **DATA** keys as listed in (a) through (i) below:
  - (a) **FUNCTION** sine wave.
  - (b) **ENTRY FREQ.**
  - (c) **2 kHz.**
  - (d) **SIGNAL** on.
  - (e) **ENTRY DC OFFSET.**
  - (f) **0 VOLT.**
  - (g) **ENTRY AMPTD.**
  - (h) **14.14 V RMS.**
  - (i) **AMPTD CAL.**
- (3) Multimeter will indicate between 13.86 and 14.42 V ac.
- (4) Press keys and enter values using **DATA** keys as listed in (a) through (e) below:
  - (a) **ENTRY FREQ.**
  - (b) **100 kHz.**
  - (c) **ENTRY AMPTD.**
  - (d) **10 V RMS.**
  - (e) **AMPTD CAL.**
- (5) Multimeter will indicate between 9 and 11 V ac.
- (6) Press keys and enter values using **DATA** keys as listed in (a) through (f) below:
  - (a) **FUNCTION** square wave.
  - (b) **ENTRY FREQ.**
  - (c) **2 kHz.**
  - (d) **ENTRY AMPTD.**
  - (e) **20 V RMS.**
  - (f) **AMPTD CAL.**
- (7) Multimeter will indicate between 19.6 and 20.4 V ac.
- (8) Press **FUNCTION** triangle key and enter **11.5 V RMS** using **DATA** keys.
- (9) Press **AMPTD CAL** key. Multimeter will indicate between 11.27 and 11.73 V ac.
- (10) Press **FUNCTION** positive ramp key and repeat (9) above.

**b. Adjustments.** No adjustments can be made.

## 20. Power Supply

### NOTE

Do not perform power supply check if all other parameters are within tolerance.

#### a. Performance Check

- (1) Connect multimeter **INPUT HI** to -15 V TP (fig. 5) below and **LO** to ground side of C9 (fig. 5). Adjust R22 (fig. 5) for a multimeter indication of -14.97 to -15.03 V dc (R).
- (2) Connect multimeter **INPUT HI** to +15 V TP (fig. 5). Readjust R22 (fig. 5) if multimeter does not indicate between 14.9 and 15.1 V dc.
- (3) Connect multimeter **INPUT HI** to +5 V TP (fig. 5). Readjust R22 (fig. 5) if multimeter does not indicate between 5.01 and 5.05 V dc.
- (4) Repeat (1) through (3) above for best in-tolerance condition on all test points.

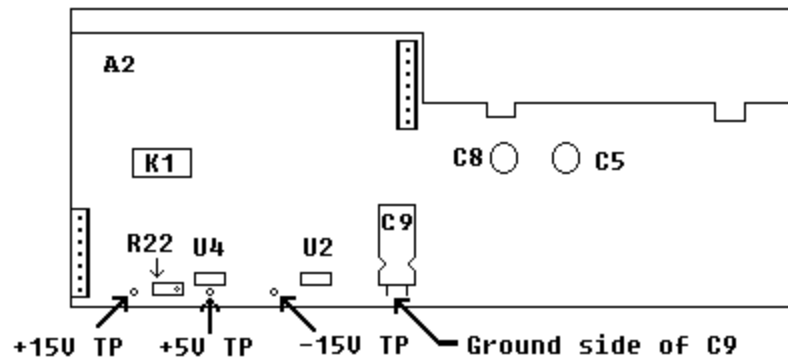


Figure 5. Power supply assembly A2 – test instrument top view.

- (5) Press presently active **FUNCTION** key to remove ac output and activate **ENTRY DC OFFSET** key (lit).
- (6) Enter **0 VOLT** using **DATA** keys and press **AMPTD CAL** key.
- (7) Connect multimeter **INPUT HI** to TP AMP OUT (fig. 3) and **LO** to circuit board ground.

### NOTE

The voltages measured in (1) through (3) above may be adjusted out of tolerance by (8) through (11) below. This is not a cause for concern.

- (8) Adjust R40 (fig. 3) until digital multimeter indicates less than 5 mV dc (R).
- (9) Connect multimeter **INPUT HI** and **LO** to TI **SIGNAL**. Do not use 50  $\Omega$  feedthrough termination.
- (10) Enter **5 VOLT** using **DATA** keys.

- (11) Press **AMPTD CAL** key. Adjust R22 (fig. 5) until multimeter indicates 10.000 V dc.
- (12) Enter **-5 VOLT** using **DATA** keys.
- (13) Multimeter will indicate between -9.985 and -10.015 V dc.


**b. Adjustment.** No further adjustments can be made.

## **21. Final Procedure**

- a.** Deenergize and disconnect all equipment.
- b.** Annotate and affix DA label/form in accordance with TB 750-25.



By Order of the Secretary of the Army:

Official  
  
JOYCE E. MORROW  
*Administrative Assistant to the  
Secretary of the Army*

0719019

GEORGE W. CASEY, JR.  
*General, United States Army  
Chief of Staff*

Distribution:

To be distributed in accordance with the initial distribution number (IDN) 342200, requirements for calibration procedure TB 9-6625-2049-24.



### Instructions for Submitting an Electronic 2028

The following format must be used if submitting an electronic 2028. The subject line must be exactly the same and all fields must be included; however, only the following fields are mandatory: 1, 3, 4, 5, 6, 7, 8, 9, 10, 13, 15, 16, 17, and 27.

From: "Whomever" [whomever@redstone.army.mil](mailto:whomever@redstone.army.mil)  
To: <2028@redstone.army.mil

Subject: DA Form 2028

1. **From:** Joe Smith
2. **Unit:** home
3. **Address:** 4300 Park
4. **City:** Hometown
5. **St:** MO
6. **Zip:** 77777
7. **Date Sent:** 19-OCT -93
8. **Pub no:** 55-2840-229-23
9. **Pub Title:** TM
10. **Publication Date:** 04-JUL-85
11. **Change Number:** 7
12. **Submitter Rank:** MSG
13. **Submitter FName:** Joe
14. **Submitter MName:** T
15. **Submitter LName:** Smith
16. **Submitter Phone:** 123-123-1234
17. **Problem:** 1
18. **Page:** 2
19. **Paragraph:** 3
20. **Line:** 4
21. **NSN:** 5
22. **Reference:** 6
23. **Figure:** 7
24. **Table:** 8
25. **Item:** 9
26. **Total:** 123
27. **Text**

This is the text for the problem below line 27.





